

Specification for Speaker		Page	3/10
		Revision No.	1.0
Model No. :	KP50170SP1	Drawing No.	kfc1697

## 1. Scope

This specification is applied to the dynamic speaker which is used all of the electrical acoustic product.

## 2. General

- 2.1 Out-Diameter :  $\varnothing$  50 mm
- 2.2 Height : 17.5mm
- 2.3 Weight :  $50 \pm 5$  gr.
- 2.4 Operating Temperature range:  
-25~+70 $^{\circ}$ C without loss of function
- 2.5 Store Temperature range:  
-25~+70 $^{\circ}$ C without loss of function

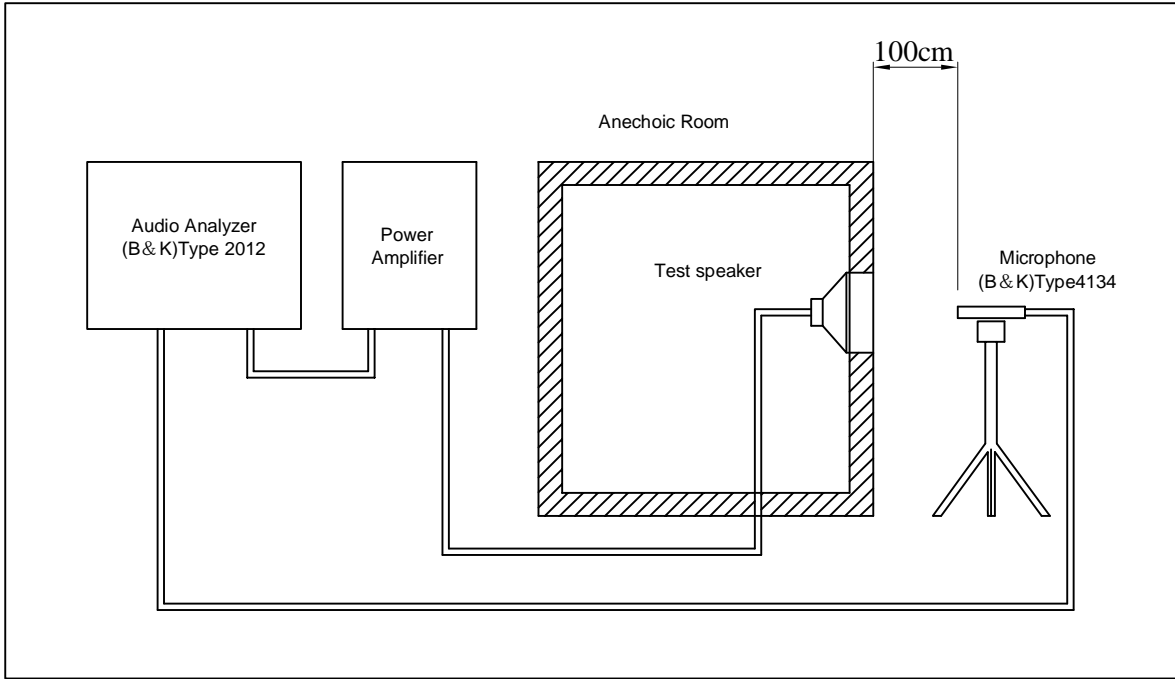
## 3. Electrical and Acoustic Characteristics.

Test condition : 15 ~ 35  $^{\circ}$ C , 25% ~ 85% RH, 860~1060 mbar

	Items	Specification
1	Impedance	$8 \Omega \pm 15\%$ (at 1Vrms,1.0kHz)
2	Sound Pressure Level	88dB $\pm$ 3dB(1W/1M AVG at 0.8,1.0,1.2,1.5KHz)
3	Resonance Frequency	400Hz $\pm$ 20%
4	Frequency Range	$F_0 \sim 5.0$ kHz
5	Input Power	Rated 0.5W / Max.1.0W
6	Distortion	<10% Max. at 2kHz/2Vrms
7	Buzz and Rattle	Should not be audible buzzes,rattles when the 2.0V sine wave signal swept at frequency range.
8	Polarity	When supplied plus D.C. voltage to (+) terminal, the cone diaphragm must move to forward.

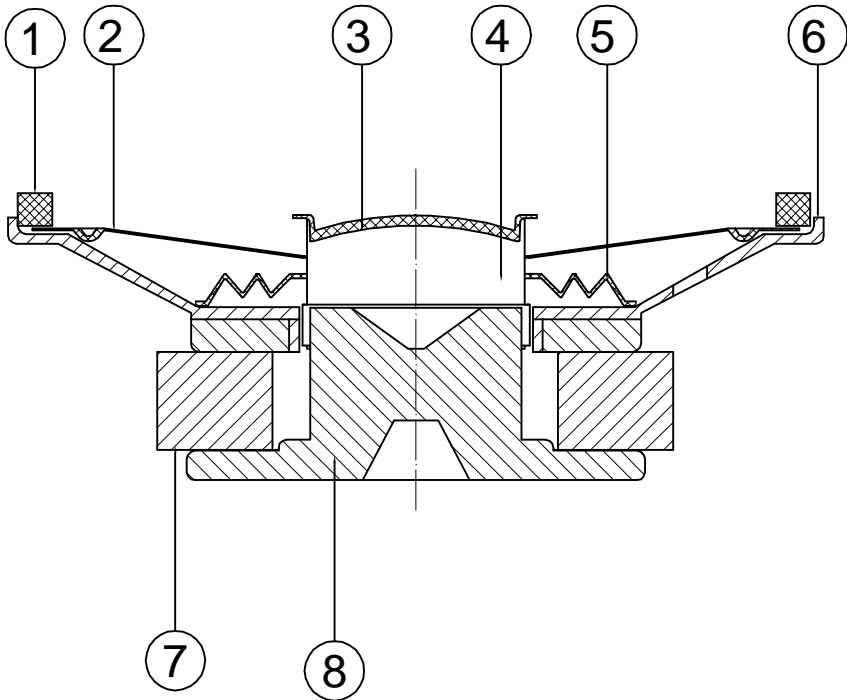
Specification for Speaker		Page	5/10
		Revision No.	1.0
Model No. :	KP50170SP1	Drawing No.	kfc1697

### 5. Measurement Block Diagram & Response curve



Specification for Speaker		Page	6/10
		Revision No.	1.0
Model No. :	KP50170SP1	Drawing No.	kfc1697

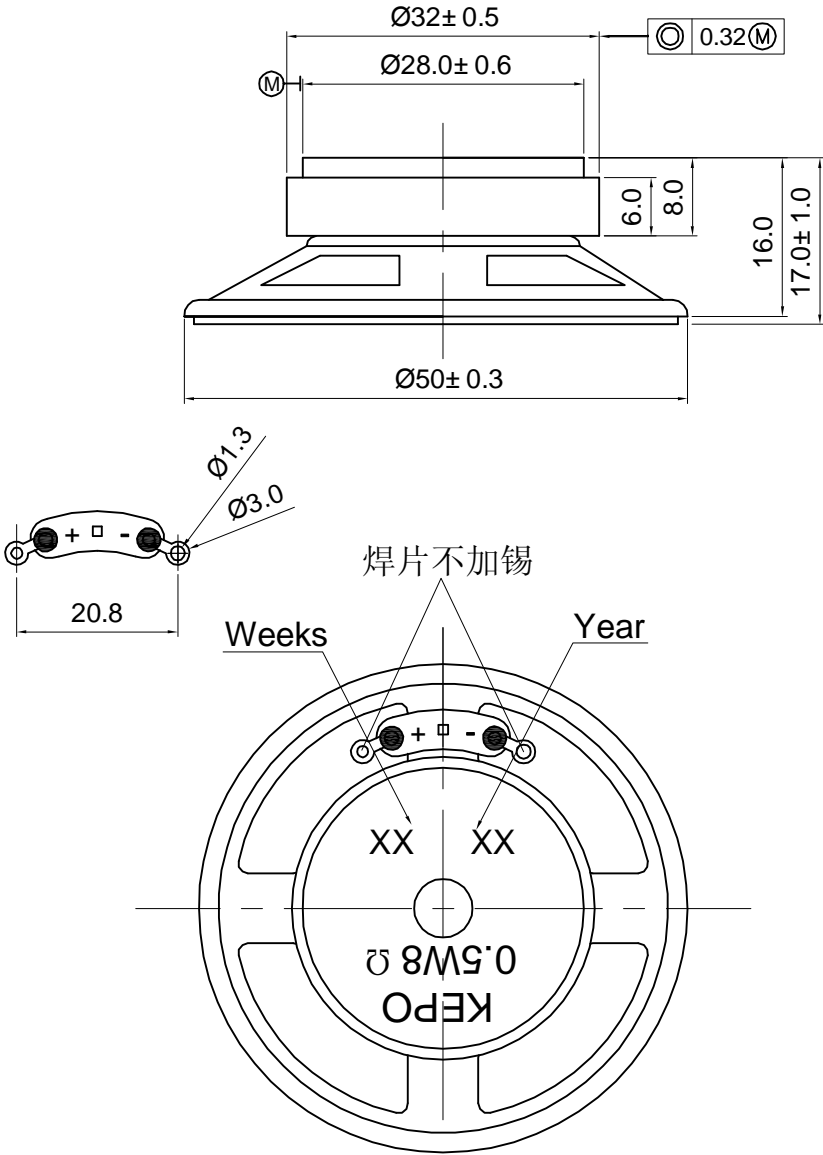
### 6. Structure



8	T yoke	1	SPCC	
7	Magnet	1	Y30	
6	Frame	1	SPCC	
5	Damper	1	Soft iron	
4	Vpice Coil	1	Cone Paper+foam edge	
3	Dust cap	1	Paper	
2	Diaphragm	1	Paper	
1	Gasket	1	Paper	
No.	Part Name	Q'TY	Material	Remarks

Specification for Speaker	Page	7/10
	Revision No.	1.0
Model No. : KP50170SP1	Drawing No.	kfc1697

### 7. Dimensions



FIRST ANGLE PROJECTION

UNIT : mm  
Tolerance :  $\pm 0.2$